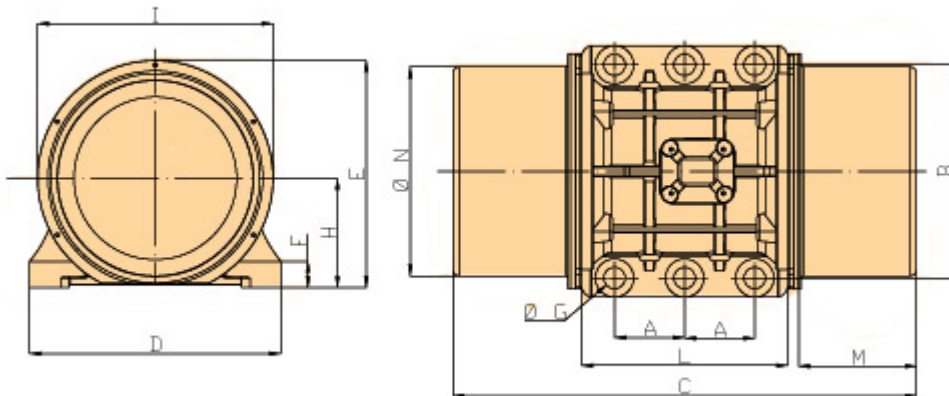


Mechanical Features		Electric Features	
General		General	
Working Moment	2329.84 kgcm	Nominal Voltage	⚡ : 400
Unbalance	1164.92 kgcm	Input Power	10 kW
FC	13009 kg	Current A Max	⚡ : 17 A
Bearings		Power factor	0.72
TYPE (SKF)	NJ 2317	Ia/In	6,2
Life(h)	100% 4867	Certification	
	80%: 10240	ETL CLASS II DIV.II GROUP F,G TENV NEMA 4	T4
	50%: 49058	ATEX II 3D Ex tc IIIC Tx IP66	T 135°
Bearing Grease		Amb Temp.	-20 ≤ T°C ≤ +40
Lube Schedule (g)	90		
Lube Replacement (g)	180		
Grease Type	SKF LGHP2		

Dimensional Features (mm)

Fig. E



A	125
B	380
C	926
M	260
G	39
holes	6
D	452
E	430
F	44
H	204
I	424
L	367
N	378

Clamping Torque(Nm)

1864

Weight(kg)	Screw	Washer	Cable Type	Cable Glande
422.2	M36	37x66	4Gx6	M32x1,5